



NEW!

Specification Sheet



ACCESSORIES
COLOURS

Xtreme Series OceanDMX Kit

Take control of your OceanLED Xtreme DMX Series Colours lights via your iOS or Android device.

With the new OceanDMX App for Android and iOS, you have all the control and customisation you need to create any scene or light display you wish, with full control over sensitivity, speed and brightness.

Choose between standard static, cycle or strobe modes. Alternatively, use audio or wave motion modes to control the colour scheme of your choice.

The OceanDMX App has been custom designed with an easy to use menu structure for use solely with the new OceanDMX Controller, which transmits its own unique WiFi network for your mobile device to connect with.

To use audio control, simply attach your vessels sound system to the DMX controller via a standard audio jack. In wave motion mode, you can create a dramatic display whilst on the move upon wave impact.

OceanLED Colours App

- Free download for iOS / Android
- Compatible with OceanLED Xtreme DMX Series XP8 / XP16
- Unlimited Colour Control
- 6 storeable presets
- Strobe / dimming / cycle modes
- Dynamic Audio control mode
- Dynamic Motion control mode
- Easy to use menu system

DMX WiFi Controller

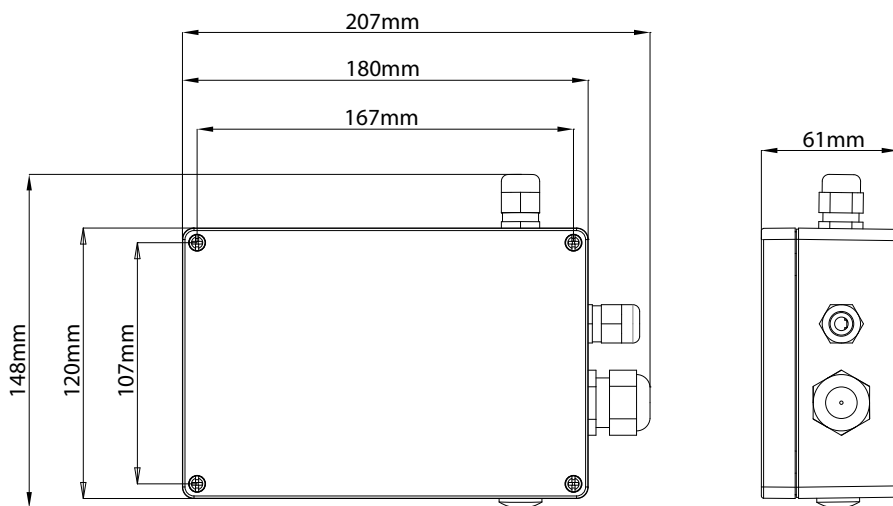
- Dedicated WiFi access point
- IP66 Control Box
- Compatible with OceanLED Pro Series Colours HD
- Semi transparent LID
- LED indicators
- 12/24v DC
- Robust polycarbonate design

Quick Specs							
Unlimited Colour Control	Free Mobile App iOS/Android	WiFi Enabled	Audio or Motion Controlled Light	Strobe Cycle Dimming modes	6 Presets	IP 66	12v DC 24v DC
Description					Part #	UPC/EAN #	
Xtreme Series DMX App Controller Kit					O11704	5051803006466	

Technical info	DMX Wifi Controller
Supply Voltage	12/24v DC
Input Current	0.2A max input
DMX Output	1x DMX 512 Output
Power indication	LED power on/off indicator
Audio input	3.5mm stereo audio jack
Cable Connection	IP68 Glands. Push and fit terminators
Wifi	Onboard WiFi access point or connect to existing WiFi network
Rating	IP66
Firmware	Upgradeable
Physical Specifications	
Dimensions	207 x 148 x 61mm
Weight	0.48kg (1.06 lbs)
Construction	Robust polycarbonate with semi transparent lid



OceanLED Colours App Specifications		No of Colours	Brightness	Sensitivity	Speed
Mode 1	Static Colour	1	x		
Mode 2	Cycle Colour	4	x		x
Mode 3	Strobe Colour	4	x		x
Mode 4	Dynamic Audio Control	3	x	x	
Mode 5	Dynamic Motion Control	2	x	x	
Mobile platforms	iOS ver 8.1 and above / Android version 4.1 (Jellybean) and above				
Availability	Free download via Google Play / iTunes App Store				
Presets	6x storeable scene / colour settings				
Colour Control	Large colour wheel and selected colour indicator				
Help mode	on screen menu information				
Upgrades	Version upgrades available				



Contents include:

- 1 x DMX Wifi Controller
- 1 x DMX Junction Box
- 1 x DMX Ethernet Cable
- 1 User Manual
- 1 Terminator Kit

© 2016 Ocean LED Marine LTD
All Rights Reserved

Specifications are subject to change
without notice.

Trademarks are the property of
OceanLED



Ocean LED Marine LTD
Unit 1 Jacknell Road
Dodwells Bridge Industrial Estate
Hinckley,
Leicestershire LE10 3BS
United Kingdom
Tel: +44 (0) 1455 637505
Fax: +44 (0) 1455 238553
sales@oceanled.com

Ocean LED USA LLC
778 South Military Trail
Deerfield Beach
Florida
FL 33442-3025
USA
Tel: +1 954.523.2250
Fax: +1 954.523.2249
sales@oceanledusa.com

OceanLED®
LIGHT. YEARS AHEAD.

www.oceanled.com